

# WYT-U

## 永磁同步曳引机

### PM Traction Machine



WYT-U系列产品是为客户专门设计的大扭矩、大载重曳引机，广泛应用于高层建筑中的观光梯、客梯、货梯，医院中的病床梯等。

WYT-U series products are designed with large torque and heavy load capacity. It is widely used in high-rise buildings elevator applications such as panorama elevator, passenger & cargo elevator, hospital bed elevator and else.

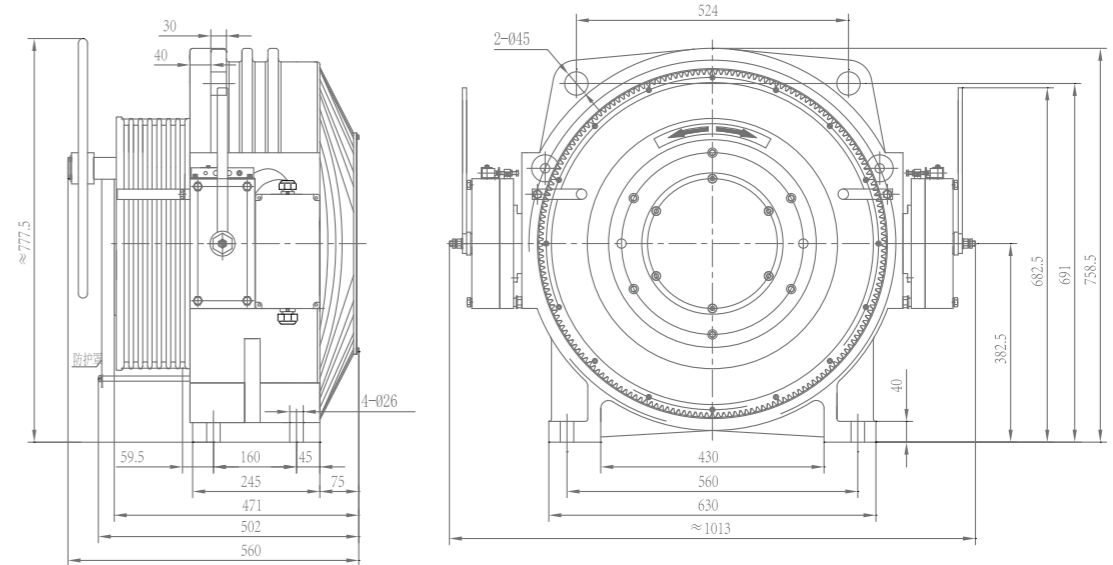
#### 主机技术参数 (Traction Machine Parameter)

- 额定电压 (Voltage) : AC380V
- 悬挂比 (Roping) : 2: 1
- 钢丝绳绕法 (Wrap) : 单绕 (Single)
- 额定载重量 (Capacity) : 1350kg~2000kg
- 轿厢速度 (Speed) : 1.0m/s~2.5m/s
- 防护等级 (Protection Grade) : IP41
- 绝缘等级 (Ins. Class) : F
- 曳引机极数(Traction machine pole): 30
- 启动频次(次/小时, Stars per hour): 240
- 工作制(Rating): S5-40%
- 推荐提升高度(Elevator Height): ≤120m

#### 制动器技术参数 (Brake Parameter)

- 型号 (Model) : BLB
- 绝缘等级 (Ins.Class) : F
- 额定电压 (Voltage) : DC110V
- 额定电流 (Current) :

系列 Series	梯速(m/s) Speed	载重代号 Capacity code	额定电流 Current
WYT-U	1.0~2.5	DS, ES(1350kg~1600kg)	1.3A
		FS(2000kg)	1.6A



外观尺寸图 | Outline drawing

#### 特点 (Features)

- ◎ 低速运行平稳，效率高，转矩大；
- ◎ 采用高性能的永磁材料和完善的磁路结构，使温升和噪音都远远低于行业标准；
- ◎ 曳引机采用过热保护装置，设计完善，可靠性高；
- ◎ 采用BLB块式制动器，结构简单，制动安全可靠。
- ◎ Low-speed operation is smooth, high efficiency, large torque;
- ◎ Use high performance permanent magnetic materials and improve the magnetic circuit structure, so that the temperature rise and noise are much lower than industry standard.
- ◎ Traction machine use overheating protection device, with extra safety & reliability;
- ◎ Use block type armless brake, simple structure with fast response time and high reliability.

#### WYT-U外转子系列 WYT-U Outer Rotor Series

系列 Series	型号 Model	载重 Capacity (kg)	轿厢速度 Speed (m/s)	曳引轮直径 Sheave (mm)	槽数 Num	绳径 (mm)	槽间距 Pitch (mm)	额定电流 Current (A)	额定转速 Motor Speed (rpm)	额定频率 Frequency (Hz)	额定功率 Power (kW)	额定转矩 Torque (Nm)	最大轴负荷 Shaft Load (kg)	主机重量 Weight (kg)
WYT-U	1.0DS	1350	1.0	φ480	7	φ12	18	19.5	80	19.9	8.8	1055	7000	≈800
	1.75DS		1.75					33.7	139	34.8	15.4			
	2.0DS		2.0					39.3	159	39.8	17.6			
	2.5DS		2.5					47.2	199	49.7	22			
	1.0ES	1600	1.0	φ480	7	φ12	18	22.9	80	19.9	10.4	1250		
	1.75ES		1.75					40.5	139	34.8	18.2			
	2.0ES		2.0					46	159	39.8	20.8			
	2.5ES		2.5					57.5	199	49.7	26			
	1.0FS	2000	1.0	φ480	7	φ12	18	28.7	80	19.9	13.1	1570		
	1.75FS		1.75					50.8	139	34.8	22.9			
	2.0FS		2.0					57.6	159	39.8	26.2			
	2.5FS		2.5					71.9	199	49.7	32.7			